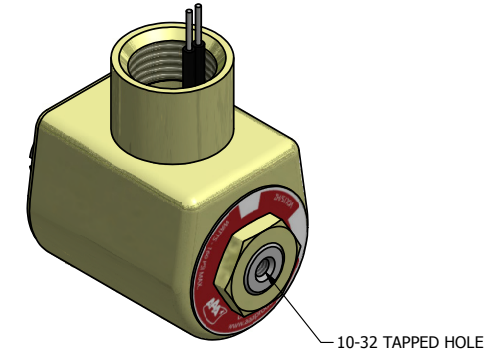
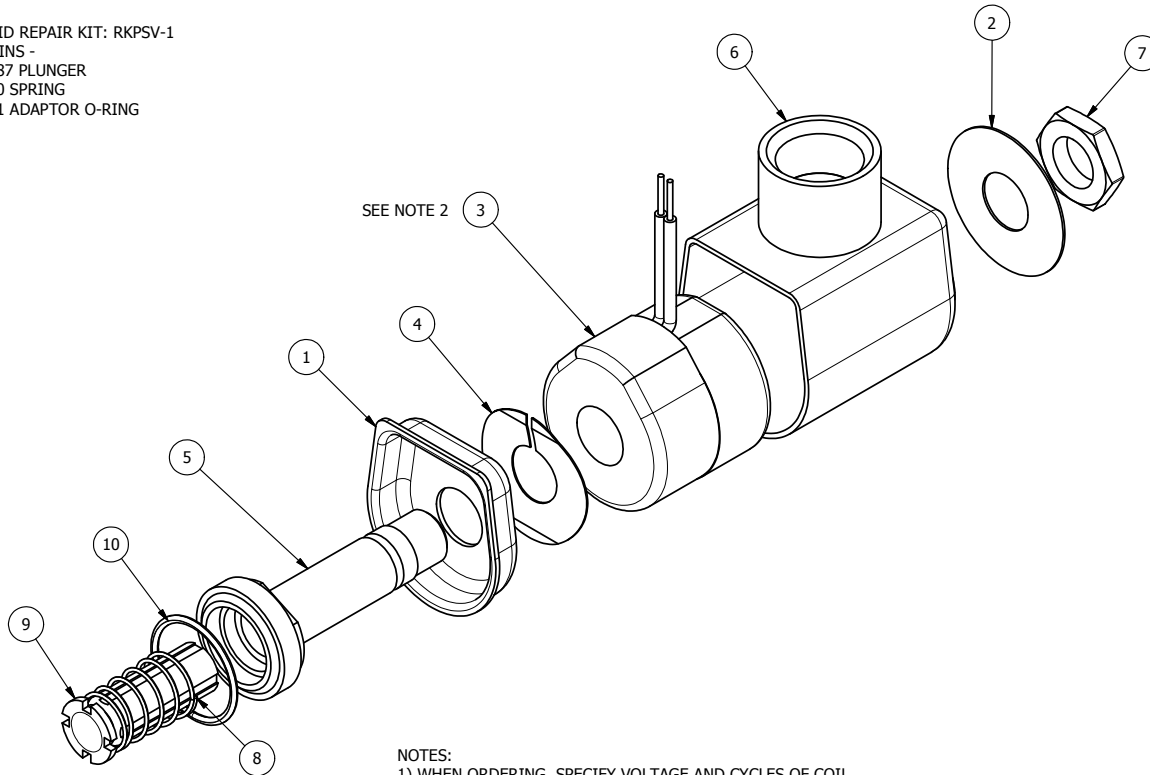


SOLENOID REPAIR KIT: RKPSV-1  
CONTAINS -  
1 V-187 PLUNGER  
1 V-50 SPRING  
1 V-61 ADAPTOR O-RING



NOTES:  
1) WHEN ORDERING, SPECIFY VOLTAGE AND CYCLES OF COIL.  
2) THE FOLLOWING PART NUMBER IS AFFECTED BY COIL VOLTAGE:

COIL VOLTAGE	COIL NUMBER	RESISTANCE	COMPLETE OPER.	AAA PART
6 VDC	V-67-3	2.4 OHMS		AY-38-3
12 VDC	V-67-5	12.8 OHMS	V-72	AY-38-5
24 VDC	V-67-8	61 OHMS		AY-38-8
28 VDC	V-67-9	97.4 OHMS		AY-38-9
24/60 VAC	V-67-4	5.39 OHMS		AY-38-4
120/60 VAC	V-67-11	135 OHMS	V-66	AY-38-11
240/60 VAC	V-67-17	546 OHMS	V-44	AY-38-17

FLG	QTY	PART NO	DESCRIPTION
9	1	V-187	SOLENOID STANDARD PLUNGER WITH BUNA-N SEAT ( # 156-014-001-00 )
8	1	V-50	SPRING - SOLENOID, "CLASSIC" SOLENOIDS
7	1	V-60	SOLENOID NUT FOR ALL OPERATOR EXCEPT EXP.PROOF
6	1	V-55	SOLENOID HOUSING
5	1	V-62	SOLENOID SLEEVE VENTED TO ATMOSPHERE
4	1	V-138	SOLENOID SPRING WASHER (BRASS)
3	1	V-67	MOISTURE RESISTANT COIL, CLASS - 'B' (TRANSFER MOLDED), (SPECIFY VOLTAGE)
2	1	V-15	NAMEPLATE SOLENOID (BLANK)
1	1	V-64	SOLENOID HOUSING BOTTOM

LIMITS ON DIMENSIONS UNLESS OTHERWISE SPECIFIED		2-PL DECIMAL ± .01 3-PL DECIMAL ± .005 FRACTIONAL ± 1/64 ANGULAR ± 1/2°		<b>AAA PRODUCTS INTERNATIONAL</b> 7114 Harry Hines Blvd Dallas, TX 75235
DRAWN: RMckenna	DATE: 10/5/1995	CHECKED: KWaite	DATE: 9/22/2013	
SCALE: 1 : 1	SHEET: 1 OF 1	RELEASED: HWomack	DATE: 9/22/2013	
TITLE: <b>CLASSIC SOLENOID - STANDARD, (SPECIFY VOLTAGE)</b>			PART NO.: <b>AY-38</b>	REV.: <b>A</b>

A	NO.	DATE	REVISION
	10/5/95		REDRAWN AND CONV TO CAD

THE INFORMATION CONTAINED WITHIN THIS DOCUMENT IS PROPRIETARY TO AAA PRODUCTS AND MAY NOT BE DISCLOSED WITHOUT PRIOR WRITTEN CONSENT

D:\Engineering\Inventory Files\Internal Drawings\Accessories\Solenoid\assy\AY-38.dwg